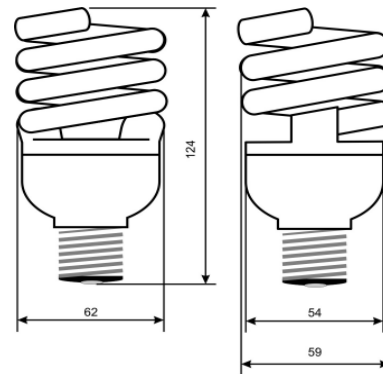


Compact fluorescent lamp SWITCH

Symbol: C-S720-0G

Power	20W
Socket	E27
Luminous flux	1320 lm
Color	2700K
Ra	81
Input voltage	230 V ±10% 50 Hz
Input current	0,131 A
Power factor	0.59
Life time	16000h
Energetic label	A
Ambient working temperature	od -10°C do +50°C
Weight	110g
EAN code	5906160706101
Burner type	Spiral T3
WEE number	8384135



Dimmable with ordinary switch in 2-100% range.

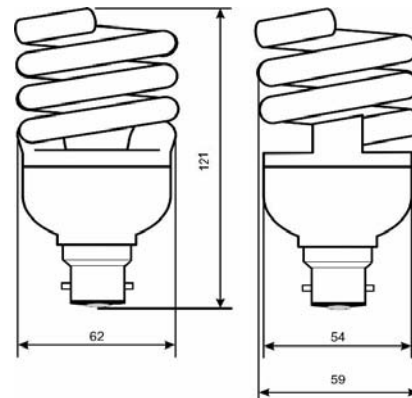
flexDIGIT[®]

Based on FlexDigit technology

Compact fluorescent lamp SWITCH

Symbol: C-S220-0G

Power	20W
Socket	B22
Luminous flux	1320 lm
Color	2700K
Ra	81
Input voltage	230 V ±10% 50 Hz
Input current	0,131 A
Power factor	0.59
Life time	16000h
Energetic label	A
Ambient working temperature	od -10°C do +50°C
Weight	110g
EAN code	0000000000000
Burner type	Spiral T3



Dimmable with ordinary switch in 2-100% range.

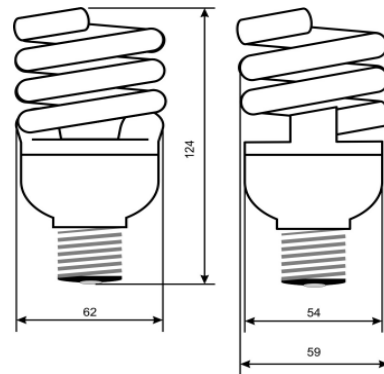
flexDIGIT[®]

Based on FlexDigit technology

Compact fluorescent lamp DIMM

Symbol: C-D720-0G

Power	20W
Socket	E27
Luminous flux	1320 lm
Color	2700K
Ra	81
Input voltage	230 V ±10% 50 Hz
Input current	0,13 A
Power factor	0.93
Life time	16000h
Energetic label	A
Ambient working temperature	od -10°C do +50°C
Weight	110g
EAN code	5906160706095
Burner type	Spiral T3
WEE number	8384130



Dimmable with all phase light dimmers, in range 2-100%

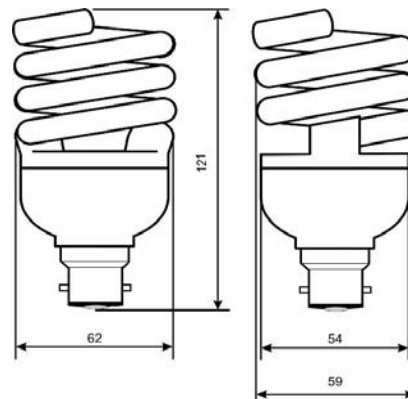
flexDIGIT®

Based on FlexDigit Technology

Compact fluorescent lamp DIMM

Symbol: C-D220-0G

Power	20W
Socket	B22
Luminous flux	1320 lm
Color	2700K
Ra	81
Input voltage	230 V ±10% 50 Hz
Input current	0,13 A
Power factor	0.93
Life time	16000h
Energetic label	A
Ambient working temperature	od -10°C do +50°C
Weight	110g
EAN code	0000000000000
Burner type	Spiral T3



Dimmable with all phase light dimmers, in range 2-100%

flexDIGIT®

Based on FlexDigit Technology